

Order no.: 063271

Special wall bracket, adjustment range 600- 700mm, galvanised steel



Wall clearance min [mm]

500	600	700	800
-----	-----	-----	-----

Specification

Wall distance 600 mm	Wall anchor Einzeln	Wall distance min. 600 mm	Wall distance max. 700 mm	Adjustment range 100 mm
Material Stahl verzinkt	Transport dimensions (plus packaging) 610 x 200 x 200 mm, 11.5 kg	Business division MUNK Günzburger Steigtechnik	Order no. 063271	

Facts

- Available for wall clearances of 500–900 mm
- Good anchoring for different wall types
- Steel quality ensures a high load-bearing capacity
- 1 set comprising 1x right, 1x left

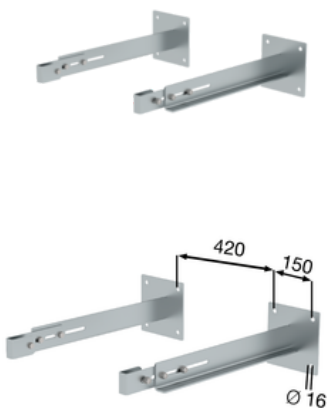
Scope of supply

- Wall anchor: 2 x

Information on sustainability criteria

- Corporate certification: ISO 9001
- Corporate certification: ISO 14001
- Corporate certification: EN 1090
- Corporate certification: EcoVadis
- RoHS
- REACH
- The MUNK Group complies with a Code of Conduct
- The Supply Chain Act does not apply due to our size
- The materials used are listed in the technical specification
- Resource-saving production: own photovoltaic systems
- Energy-efficient consumption during production: LED lighting
- Repairability, durability and quality: 15-year warranty on series products made in Germany
- Recyclability: Our products are mostly made of aluminium, steel or wood and can be fed directly into the recycling process.
- Socially acceptable working conditions in production: fair wages, gender equality
- Economical and recyclable packaging: no use of polystyrene, predominantly use of wood and cardboard, small amounts of plastic
- No health hazards for the users

More product pictures



Added value

Optimum planning

- Practical planning aids (available as [Downloads](#)) with tips for correct planning of vertical ladder systems
- Planning in close coordination with the client as well as the place and purpose of use
- Joint project planning



Corporate certifications

Standards for quality and sustainability

