

Order no.: 064273

## Special wall bracket, adjustment range 800- 900mm, stainless steel



Wall clearance min [mm]

500 600 700 **800**

### Specification

Wall distance 800 mm	Wall anchor Einzeln	Wall distance min. 800 mm	Wall distance max. 900 mm	Adjustment range 100 mm
Material Edelstahl	Business division MUNK Günzburger Steigtechnik	Order no. 064273		

### Facts

- Safe and stable hold for vertical ladder systems
- Optimum stability thanks to rigid design
- 1 set comprising 1x right, 1x left

#### Scope of supply

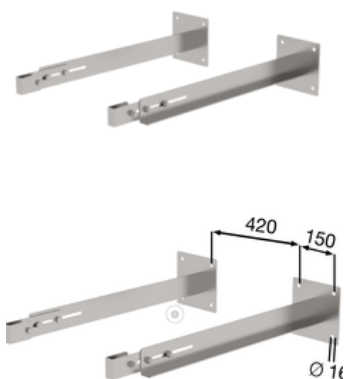
- Wall anchor: 2 x

### Information on sustainability criteria

- Corporate certification: ISO 9001
- Corporate certification: ISO 14001
- Corporate certification: EN 1090
- Corporate certification: EcoVadis
- RoHS
- REACH
- The MUNK Group complies with a Code of Conduct
- The Supply Chain Act does not apply due to our size
- The materials used are listed in the technical specification
- Resource-saving production: own photovoltaic systems
- Energy-efficient consumption during production: LED lighting
- Repairability, durability and quality: 15-year warranty on series products made in Germany
- Recyclability: Our products are mostly made of aluminium, steel or wood and can be fed directly into the recycling process.
- Socially acceptable working conditions in production: fair wages, gender equality
- Economical and recyclable packaging: no use of polystyrene, predominantly use of wood and cardboard, small amounts of plastic
- No health hazards for the users

## More product pictures

---



## Added value

---

### Optimum planning

- Practical planning aids (available as [Downloads](#)) with tips for correct planning of vertical ladder systems
- Planning in close coordination with the client as well as the place and purpose of use
- Joint project planning



## Corporate certifications

---

### Standards for quality and sustainability

